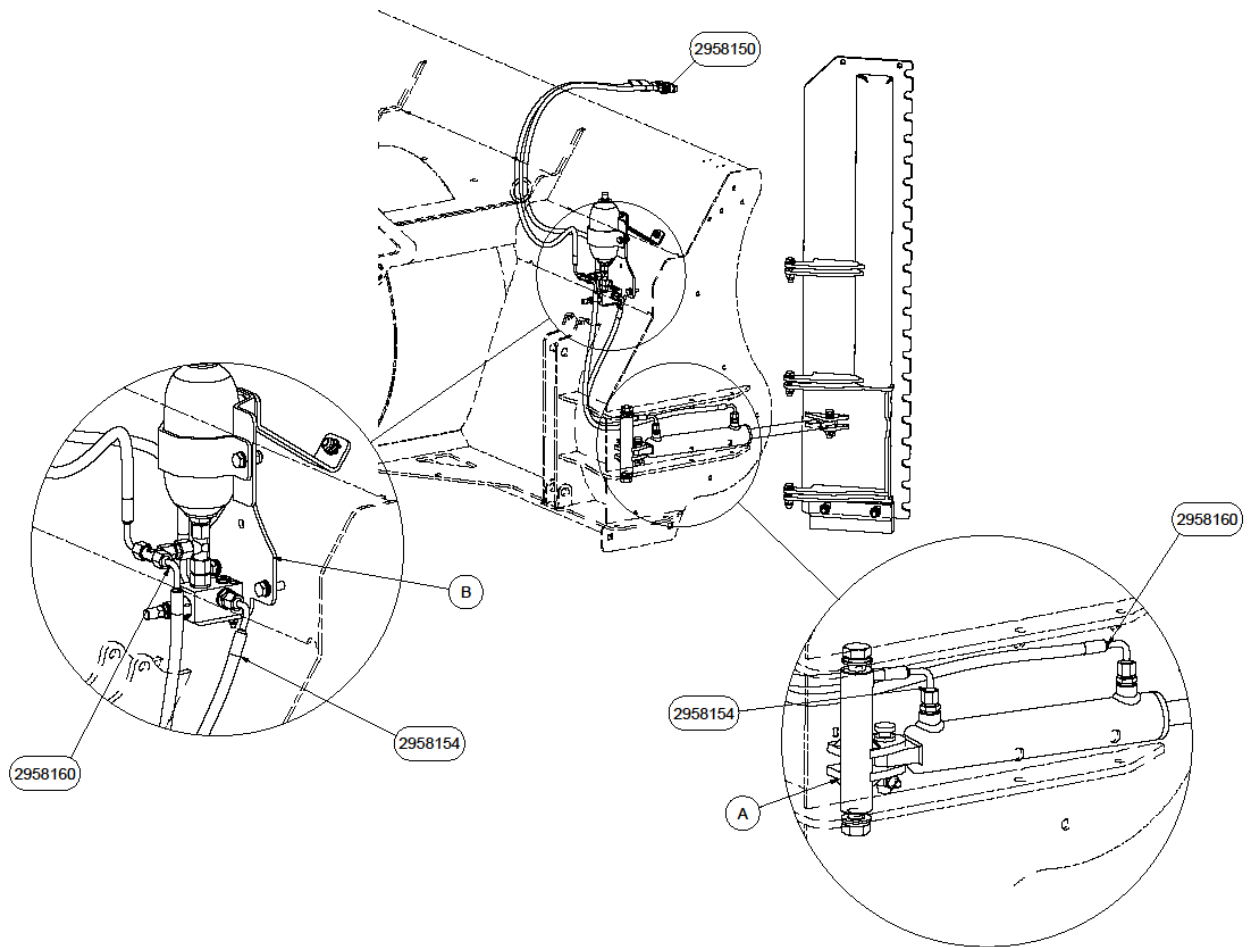


Assembly instructions for hydraulic side extension 25313017



- A: The bracket for the cylinder must be installed as in the illustration.
- B: 2 pcs. holes threaded M10.